

TOTAL RATED LOADS

(1) With outriggers set
 [BOOM]

Unit: ton

Outriggers fully extended (4.5m)							-360 °-
A \ B	5.2m	8.8m	12.4m	16.0m	19.6m	23.2m	
1.0m	10.00(4.90)	4.90					
1.5m	10.00(4.90)	4.90	4.90				
2.0m	10.00(4.90)	4.90	4.90	4.00			
2.5m	10.00(4.90)	4.90	4.90	4.00	3.50		
3.0m	8.00(4.90)	4.90	4.90	4.00	3.50	2.00	
3.5m	6.10(4.90)	4.90	4.90	4.00	3.50	2.00	
4.0m	5.40(4.90)	4.90	4.90	4.00	3.50	2.00	
4.5m	(3.9m)	4.60	4.20	4.00	3.50	2.00	
5.0m		4.20	3.80	3.55	3.15	2.00	
5.5m		3.80	3.45	3.15	2.90	2.00	
6.0m		3.35	3.15	2.85	2.70	2.00	
7.0m		2.75	2.65	2.38	2.30	1.80	
8.0m		2.45(7.5m)	2.20	2.00	1.95	1.60	
9.0m			1.75	1.75	1.70	1.45	
10.0m			1.38	1.55	1.50	1.30	
11.0m			1.10	1.30	1.33	1.20	
12.0m				1.08	1.13	1.10	
13.0m				0.90	0.97	1.00	
14.0m				0.75	0.83	0.86	
15.0m				0.65(14.7m)	0.70	0.75	
16.0m					0.60	0.66	
17.0m					0.50	0.57	
18.0m					0.42	0.50	
19.0m					0.40(18.3m)	0.42	
20.0m						0.35	
21.9m						0.26	
a (°)	0 ~ 82						

A= Boom length B= Working radius
 a= Boom angle range (for the unladen condition)

[BOOM]

Unit: ton

Outriggers middle extended (3.5m) -Over sides-						
A \ B	5.2m	8.8m	12.4m	16.0m	19.6m	23.2m
1.0m	10.00(4.90)	4.90				
1.5m	10.00(4.90)	4.90	4.90			
2.0m	10.00(4.90)	4.90	4.90	4.00		
2.5m	10.00(4.90)	4.90	4.90	4.00	3.50	
3.0m	8.00(4.90)	4.90	4.90	4.00	3.50	2.00
3.5m	6.10(4.90)	4.90	4.90	4.00	3.50	2.00
4.0m	5.40(4.90)	4.90	4.90	4.00	3.50	2.00
4.5m	(3.9m)	4.55	4.20	4.00	3.50	2.00
5.0m		3.75	3.65	3.40	3.15	2.00
5.5m		3.10	3.00	3.00	2.90	2.00
6.0m		2.60	2.55	2.60	2.70	2.00
7.0m		1.90	1.85	2.00	2.15	1.80
8.0m		1.60(7.5m)	1.35	1.55	1.70	1.60
9.0m			1.00	1.20	1.35	1.40
10.0m			0.75	0.95	1.08	1.13
11.0m			0.55	0.73	0.87	0.93
12.0m				0.56	0.70	0.76
13.0m				0.43	0.55	0.62
14.0m				0.33	0.43	0.51
15.0m				0.27(14.7m)	0.35	0.42
16.0m					0.25	0.33
17.0m					0.18	0.25
18.0m						0.19
a (°)	0 ~ 82				3 ~ 82	25 ~ 82

A= Boom length B= Working radius
a= Boom angle range (for the unladen condition)

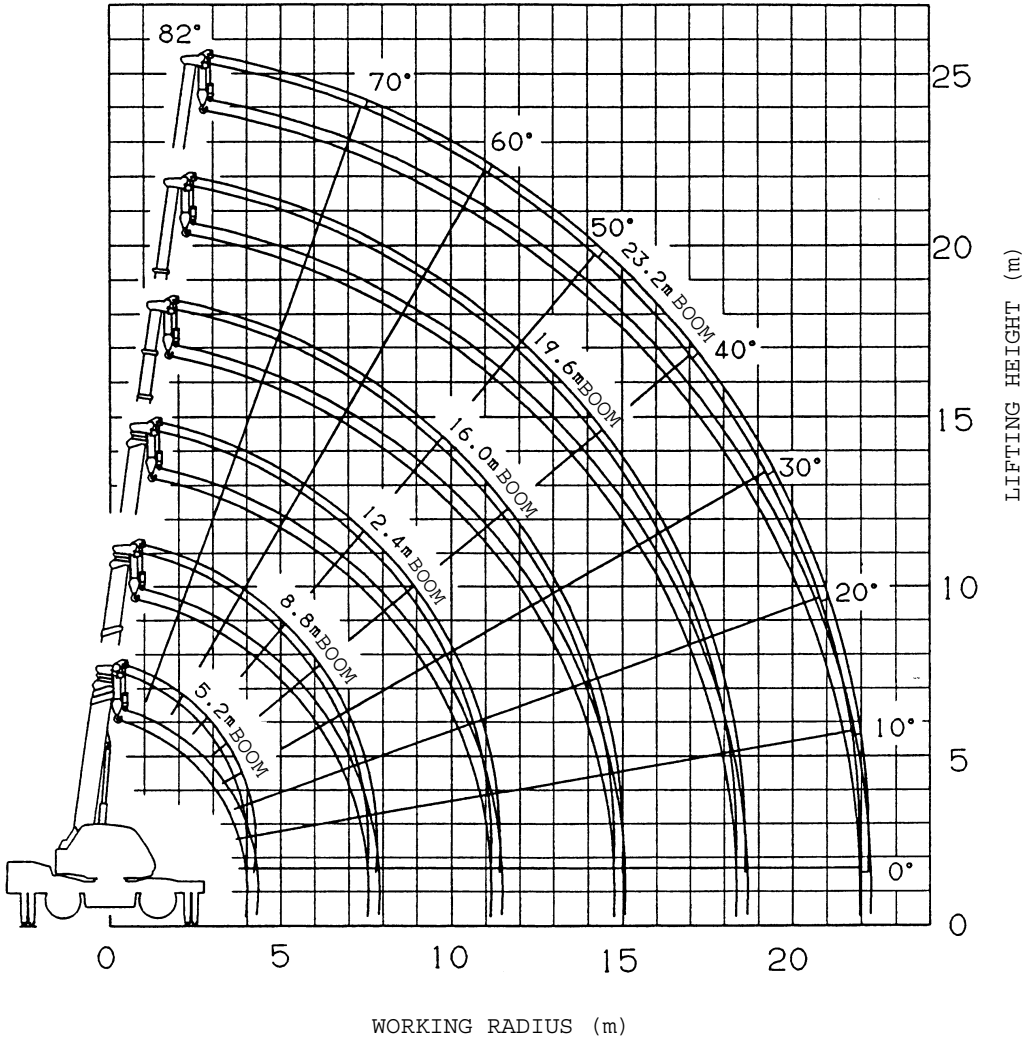
[BOOM]

Unit: ton

Outriggers minimum extended (2.5m) –Over sides–						
A \ B	5.2m	8.8m	12.4m	16.0m	19.6m	23.2m
1.0m	10.00	4.90				
1.5m	10.00	4.90	4.90			
2.0m	10.00	4.90	4.90	4.00		
2.5m	7.00	4.90	4.90	4.00	3.50	
3.0m	5.20	4.90	4.90	4.00	3.50	2.00
3.5m	4.10	3.95	3.70	3.80	3.50	2.00
4.0m	3.40(3.9m)	3.15	2.95	3.10	3.25	2.00
4.5m		2.50	2.35	2.55	2.65	2.00
5.0m		2.00	1.90	2.10	2.20	2.00
5.5m		1.65	1.55	1.75	1.85	1.90
6.0m		1.35	1.30	1.45	1.60	1.65
7.0m		0.92	0.90	1.05	1.17	1.25
8.0m		0.75(7.5m)	0.60	0.75	0.87	0.95
9.0m			0.38	0.53	0.65	0.72
10.0m			0.20	0.37	0.45	0.54
11.0m					0.30	0.40
12.0m						0.28
a (°)	0 ~ 82		17 ~ 82	36 ~ 82	50 ~ 82	51 ~ 82

A= Boom length B= Working radius
 a= Boom angle range (for the unladen condition)

WORKING RADIUS - LIFTING HEIGHT



NOTES:

1. The deflection of the boom is not incorporated in the figure above.
2. The figure above is for the case where the outriggers are fully extended (360°).